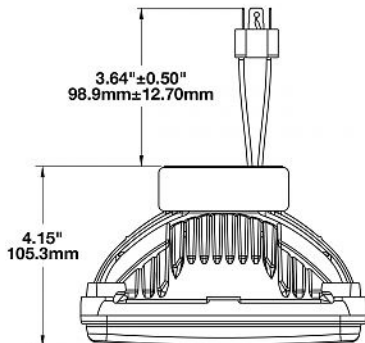
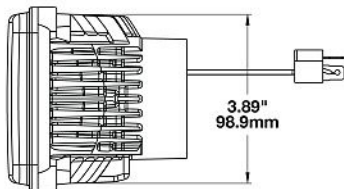
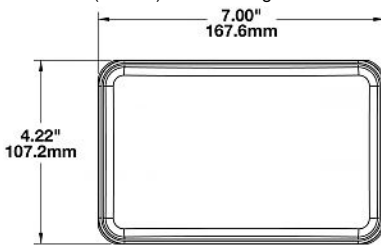




Model 8800 High Beam (top) and Low Beam (bottom) LED Headlights



Dimensions in inches (mm in parentheses).  
Dimensions are for reference only.

### Product List

Model Number	Description
8800-12/24V HB	12-24V LED High Beam Headlight
8800-12/24V LB	12-24V LED Low Beam Headlight

### Features & Benefits

- 1,300 Raw Lumens; 750 (Low Beam), 850 (High Beam) Effective Lumens
- Available in a 12-24V DC configuration
- UV-resistant polycarbonate lens
- Rugged solid state LEDs can withstand shock & vibration
- Long-lasting LEDs mean never having to replace another bulb again!
- Die-cast aluminum housing provides maximum protection
- Low profile mount
- Plug & play replacements for 1A1 and 2A1 sealed beams in most applications
- Optional dual mounting assembly is available in RH or LH configurations (see Photo Gallery for images)
- [Installation & Aiming Instructions](#)

### General Specifications

<b>Lens Material :</b>	Hardcoated Polycarbonate
<b>Housing Material :</b>	Die-Cast Aluminum
<b>Mounting :</b>	Retrofits 1A1 and 2A1 (4" x 6") sealed beams
<b>Connector:</b>	AMP (#172615-2)
<b>Mating Connector:</b>	LH Terminal - AMP (#172795-1); RH Terminal - AMP (#172796-1)

### Technical Specifications

High Beam Version	Low Beam Version
12-24V DC Input	12-24V DC Input
10.5-32V DC Operating Voltage	10.5-32V DC Operating Voltage
3.60 Amps @ 12V DC	3.60 Amps @ 12V DC
1.50 Amps @ 24V DC	1.50 Amps @ 24V DC
Raw Lumen Output: 1,300	Raw Lumen Output: 1,300
Effective Lumen Output: 850	Effective Lumen Output: 750

### Standards Compliance

DOT-Compliant	FMVSS 108
CMVSS 108	Buy America Compliant
ECE Reg. 112	Sealed to IP67

### Applications

Agricultural	Construction	Fire & Rescue
Forestry	Industrial	Law Enforcement
Lawn & Garden	Military	Mining
Off-Highway	On-Highway	Recreational
Specialty Trucks	Utility	

### Additional Info

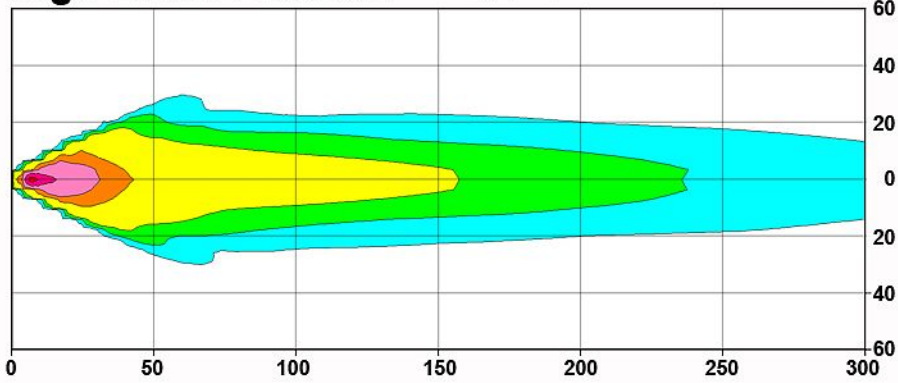
Headlight must be securely mounted and properly aimed such that the beam pattern "cut off line" complies with all applicable regulations. If you are not familiar with the legal requirements for aiming your headlights, please see a professional service provider. We recommend that headlights are aimed with a headlight aiming system for proper alignment.

Wires: White=High Beam, Yellow=Low Beam, Black=Ground  
Transient Spike Protection: 150V Peak @ 1 HZ-100 Pulses

# Model 8800

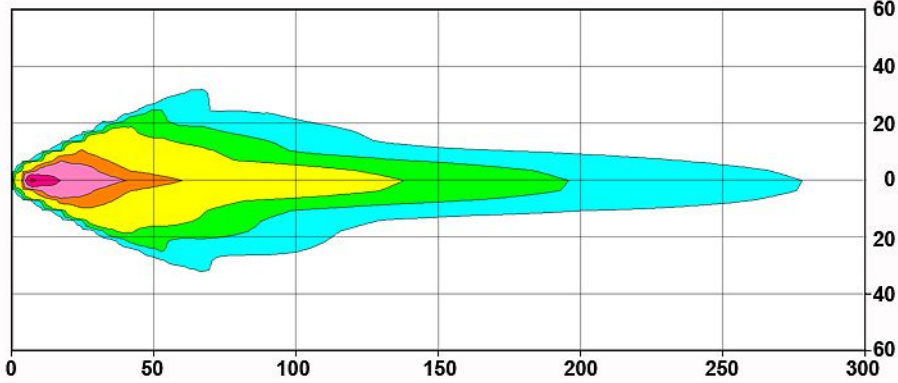
**High Beam Pattern (1.0m high, -0°)**

68 Max.



**Low Beam Pattern (1.0m high, -0°)**

60 Max.



0.25 0.50 1.0 5.0 10 25 50 Lux